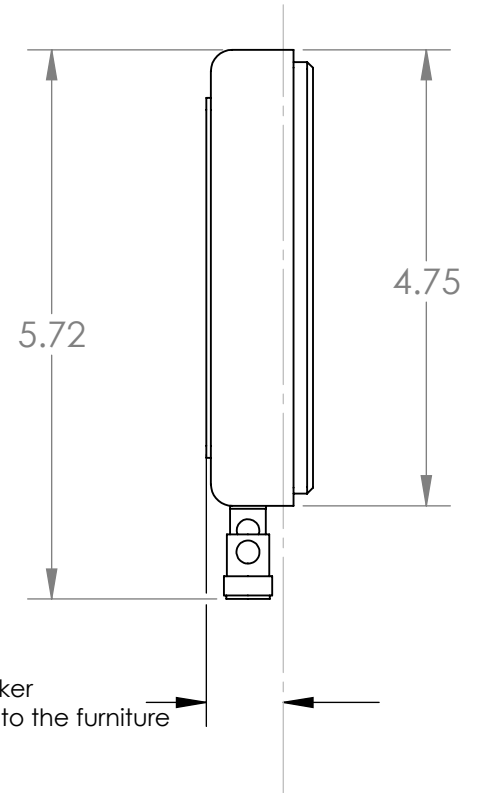
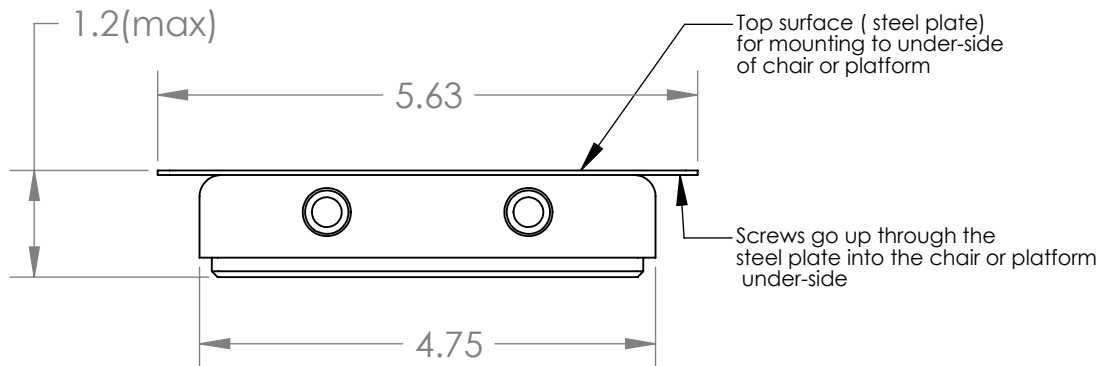
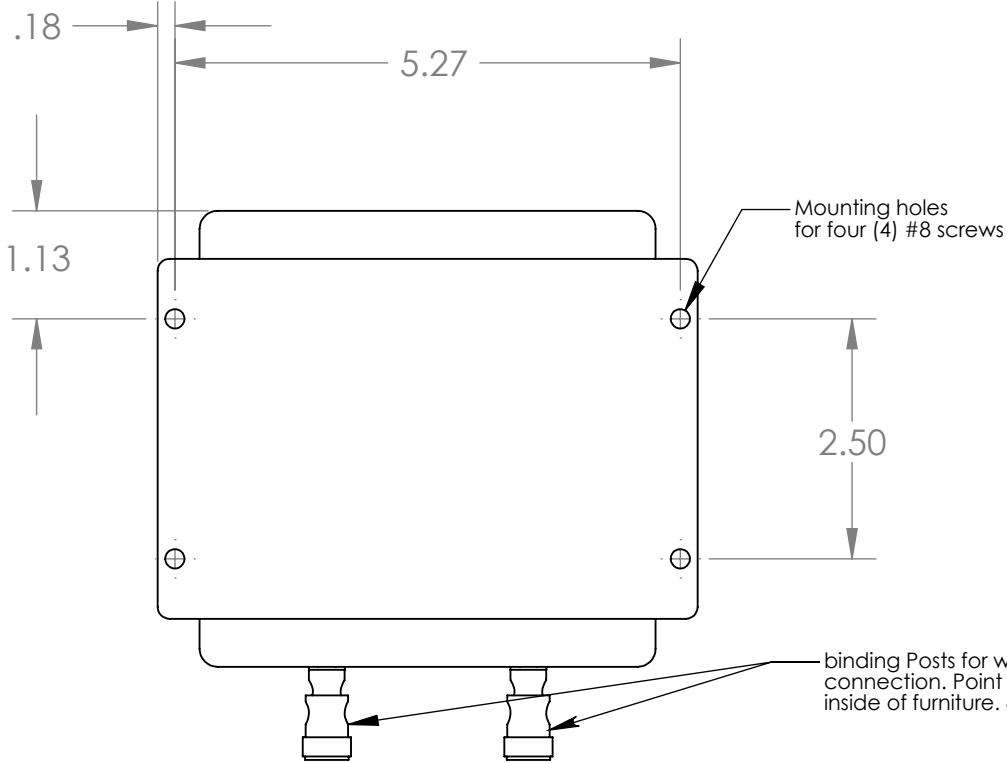


REVISIONS		DATE	APPROVED
ZONEED	REV.	DESCRIPTION	



PROPRIETARY AND CONFIDENTIAL
 THE INFORMATION CONTAINED IN THIS DRAWING IS THE SOLE PROPERTY OF Crowson Technology, LLC. ANY REPRODUCTION IN PART OR AS A WHOLE WITHOUT THE WRITTEN PERMISSION OF Crowson Technology, LLC. IS PROHIBITED.

DIMENSIONS ARE IN INCHES		NAME	DATE
TOLERANCES:		DRAWN	
FRACTIONAL ±		CHECKED	
ANGULAR: MACH ± BEND ±		ENG APPR.	
TWO PLACE DECIMAL ±.010		MFG APPR.	
THREE PLACE DECIMAL ±.005		Q.A.	
MATERIAL		COMMENTS:	
NEXT ASSY	USED ON	FINISH	
APPLICATION		DO NOT SCALE DRAWING	

Crowson Technology

EDH4-100
 Mounting Information

SIZE	DWG. NO.	REV.
A		4
SCALE:1:2	WEIGHT:	SHEET 1 OF 1